

Introduction

Your new wired Rain-Clik combines optimal performance, water savings, and installation convenience in an economical rain sensor package.

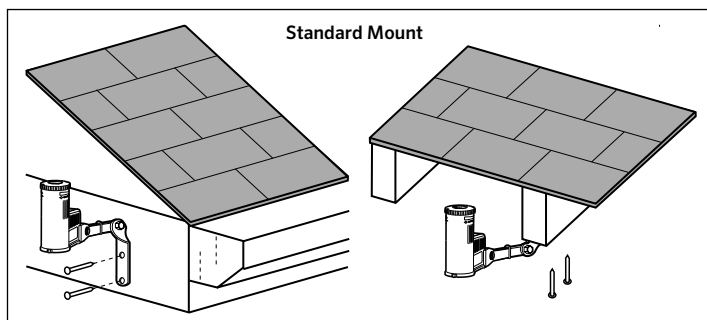
The wired Rain-Clik acts as a switch to break the circuit to the solenoid valves of the irrigation system when it has rained. This allows the timer to advance as scheduled, but keeps the valves from opening the water flow. Once the Rain-Clik has dried sufficiently, the switch closes again to allow for normal operation. The Rain-Clik is supplied with 25' (8 m) of wiring for installation on your controller.

Unlike other rain sensors, you do not need to determine the setting for rainfall shutoff. The wired Rain-Clik is self-adjusting. With Rain-Clik, your sprinkler system will shut down within the first few minutes of any rainfall. The total amount of rain received is registered inside the unit and determines how long your system will stay off. The wired Rain/Freeze-Clik includes a freeze sensor that is designed to keep the system from operating at or below 37°F (3°C). At temperatures above 37°F (3°C), it will close the circuit for normal sprinkler operation. The freeze sensor prevents ice on landscapes, roadways, and walkways.

Mounting

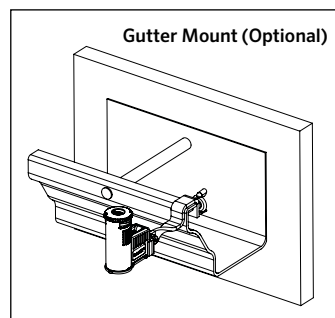
Standard Model

Using the screws provided within the package, mount the Rain-Clik on any surface where it will be exposed to unobstructed rainfall, but not in the path of sprinkler spray. The switch housing portion must be upright (as pictured), but the swivel-bracket can be moved for mounting on an angled surface. Loosen the locknut and screw before swiveling the bracket, and then re-tighten.



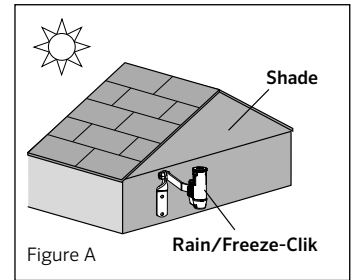
Gutter Mounting (SGM Sold Separately):

The gutter mount can be purchased as an optional accessory for your Rain-Clik (order p/n SGM). The SGM allows the Rain-Clik to be mounted directly to the side of a gutter. To install your Rain-Clik on a gutter, remove the screw, nut, and standard metal extension arm supplied with the Rain-Clik, and reinstall the screw and gutter mount. Position the gutter mount on the edge of the gutter and twist the thumbscrew to secure it in place.



Helpful Hints for Mounting

- When looking for a suitable location such as the side of a building or post, the closer the Rain-Clik is to the controller, the shorter the wire run will be. This will also minimize the chance for wire breaks.
- Correct placement of the Rain/Freeze-Clik model is important for accurate temperature sensing. The best location would be out of direct sunlight (Figure A).
- As described in the "Operation" section of this manual, "reset rate" refers to the amount of time it takes the Rain-Clik to dry out sufficiently for the sprinkler system to be allowed to come back on. The mounting location will affect this rate and should be taken into consideration should extreme conditions exist. For example, mounting the Rain-Clik on a very sunny, southern end of a building may cause the Rain-Clik to dry out sooner than desired. Similarly, mounting on the northern end of a building with constant shade may keep the Rain-Clik from drying soon enough.



Once the Rain-Clik is mounted, run the wire to the controller, and fasten it every few feet with wire clips or staples for best results. Be careful not to cut through the wire insulation with fastening hardware or chaff the insulation when routing wire through or around metal materials (e.g., gutter, siding, etc.). If an extension to the wire provided is needed, use the following table to determine the minimum wire gauge needed:

If the extension needed is:	25-50'/8-15 m	50-100'/15-30 m	100'+/30 m
	use: 20 AWG/0.8 mm	18 AWG/1 mm	16 AWG/1.3 mm

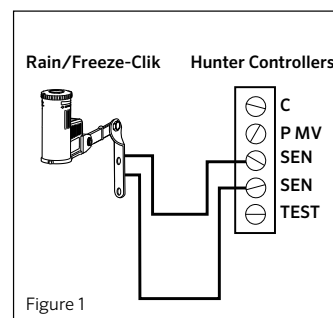
Wiring to Your Irrigation System

IMPORTANT: The Rain-Clik is sold and designed for hookup to 24-volt irrigation controllers only.

Wiring to Hunter Controllers

The Rain-Clik connects directly to the controller. This allows you to easily override the sensor by using the Sensor switch on the front panel.

- Remove the jumper from the two "SEN" terminals.
- Route the wires from the rain sensor up through the same conduit opening used for valve wiring.
- Connect one wire to the terminal labeled "SEN" and the other wire to the other "SEN" terminal (Figure 1).



Wiring to Your Irrigation System (cont.)

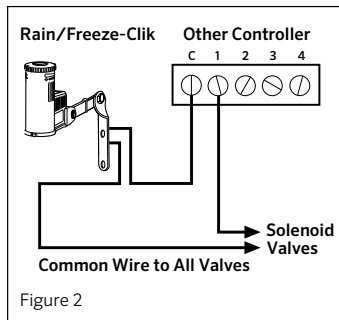
Wiring to Other Controllers

The most common situation is shown below.

1. 24-Volt Solenoid Valves Only (Figure 2)

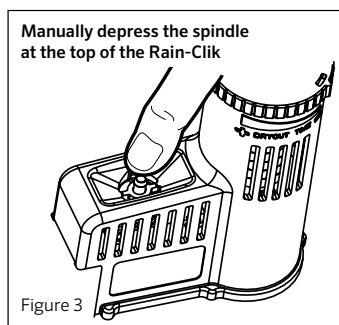
With the two wires from the Rain-Clik at the controller, locate the “common ground” wire of the solenoid valves. If it is connected to the common terminal on the controller, disconnect it. Attach one wire of the Rain-Clik to the “common” terminal (usually marked “C”) on the controller. Attach the other wire of the Rain-Clik to the common wire leading to the valves.

Note: The common wire to the valves does not have to be interrupted at the controller. The Rain-Clik can be wired anywhere along the common wire line.



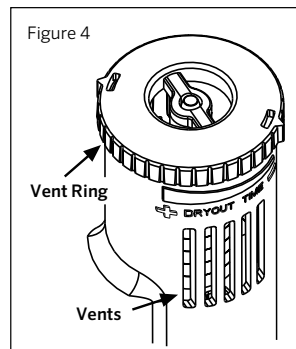
Operation Check to Verify Correct Wiring

Turn on one zone of the irrigation system that is visible while you are in reach of the Rain-Clik. Manually depress the spindle at the top of the Rain-Clik until you hear the switch “click” off. The sprinkler zone should stop instantaneously. If it does not, check wiring for correctness. It is not necessary to “wet” test the Rain-Clik, although it will test the operation sufficiently, if desired (Figure 3).



Adjustments and Operation

The Rain-Clik can keep the irrigation system from starting or continuing after rainfall. The time that it takes the Rain-Clik to reset for normal sprinkler operation after the rain has stopped is determined by weather conditions (wind, sunlight, humidity, etc.). These conditions will determine how fast the hygroscopic discs dry out, and since the turf is also experiencing the same conditions, their respective drying rates will roughly parallel each other. So when the turf needs more water, the Rain-Clik is already reset to allow the sprinkler system to run at the next scheduled cycle.



There is an adjustment capability on the Rain-Clik that will slow down the reset rate. By closing the “vent” (Figure 4) to completely or partially cover the ventilation slots, the hygroscopic discs will dry out more slowly. This adjustment can compensate for an “overly sunny” installation location, or peculiar soil conditions. Experience will best determine the ideal vent setting.

Rain-Clik utilizes single-disc technology to turn off your sprinkler system within the first five minutes of rainfall. For light

showers and amounts of rain less than $\frac{1}{8}$ " (3 mm), the single disc will shut off the system for 30 minutes to 4 hours, depending on weather conditions. Adjusting the vent cap will not have an effect on the dryout time of the single disc. For heavier rain showers in excess of $\frac{1}{8}$ " (3 mm), the disc stack under the vent cap will hold the system off for an appropriate amount of time. The disc stack dryout time is what the vent cap adjustment controls.

Bypassing the Sensor

The Hunter X-Core®, Pro-C®, ICC2, and I-Core® controllers are equipped with a built-in bypass that allows you to override an active sensor. For controllers not equipped with this feature, should you desire to bypass the operation of the Rain-Clik for any reason (i.e., turn on your system even though the Rain-Clik has shut “off” due to rainfall), there is a simple way to do this: add our Bypass Switch Box. This mounts on or next to the controller, and by simply moving the switch, the Rain-Clik is bypassed.

Note: Using the “manual” switch on non-Hunter controllers typically will not bypass the sensor.

Maintenance

There is no required maintenance for the unit. The Mini-Clik does not have to be removed or covered for “winterizing” purposes.

Troubleshooting

Follow these simple checks first before assuming the unit is bad and replacing it. If the system will not come on at all:

- First, check to see that the Rain-Clik discs are dry and the switch “clicks” on and off freely by pressing the top of the spindle.
- Next, look for breaks in the wire leading to the Rain-Clik and check all wire junctions.
- Verify temperature is above 37° F (3°C) (for Rain/Freeze-Clik model).

If the System Will Not Shut Off Even After Heavy Rainfall:

- Check wiring for correctness (see “Operation Check to Verify Correct Wiring”).
- Is the rainfall actually hitting the Rain-Clik? Check for obstructions to rainfall (e.g., overhangs, trees, or walls).

Manufactured under U.S. Patent Pending

All Rain-Clik models are listed by Underwriters Laboratories, Inc. (UL). Samples of these devices have been evaluated by UL and meet the applicable UL standards for safety.

Need help? Visit hunter.direct/rainclikhelp

